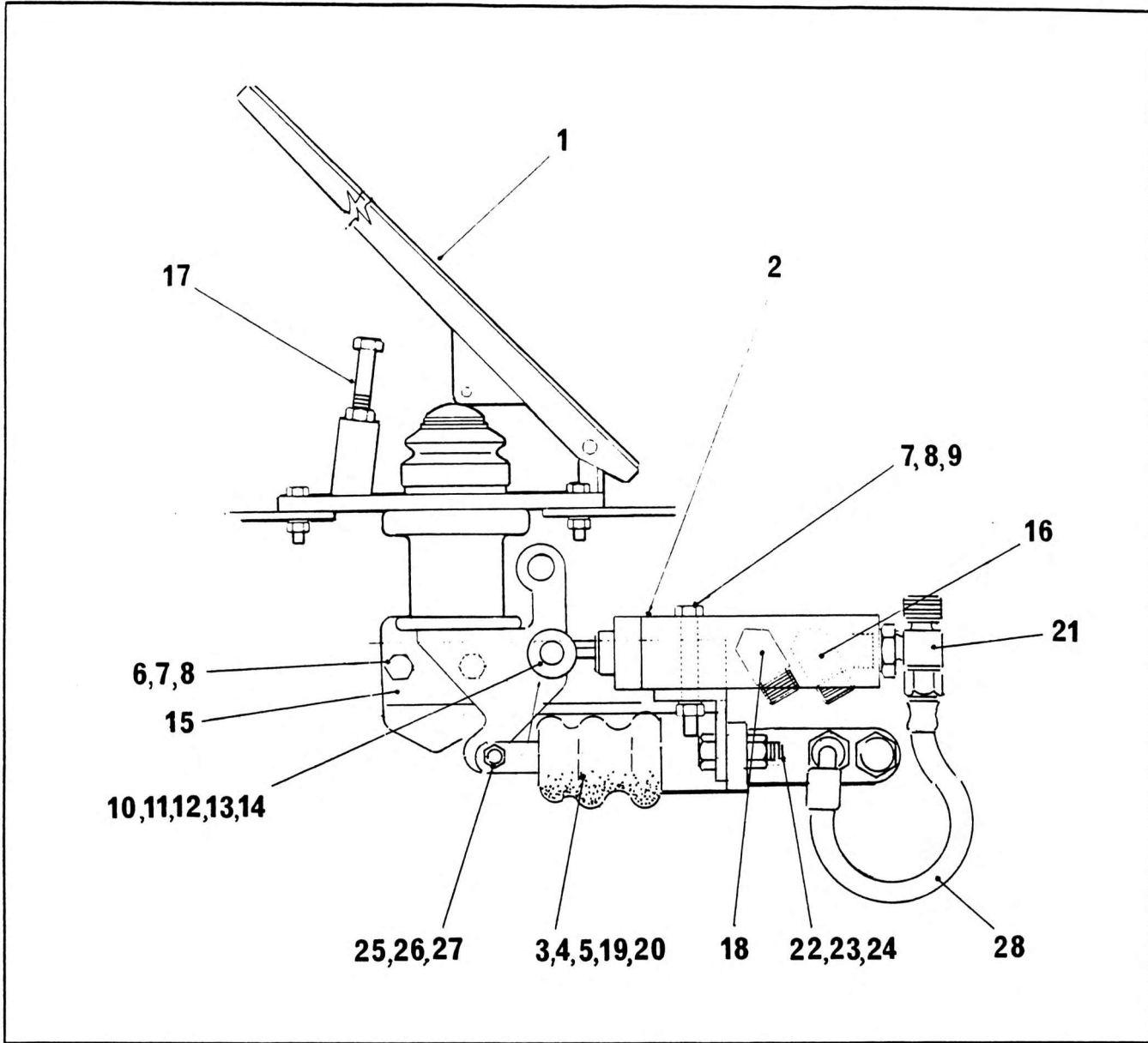


SLEW BRAKE PEDAL ASSEMBLY



NO.	PART NO.	QTY.	DESCRIPTION	NO.	PART NO.	QTY.	DESCRIPTION
1 +	8594394	1	Pedal Throttle Assy	19	7-794-990145	1	Copper Washer
2 +	7-926-990447	1	Valve Pilot Control	20	7-447-040301	1	Adaptor
3 +	8386141	1	Cylinder Master	21	7-447-040434	1	Run Tee
4	7-709-000028	1	Plug 1/4" SAE	22	7-126-171350	2	Bolt M6 x 30mm Lg
5	572248	1	Gasket	23	7069205	2	Nut Nyloc M8
6	7045104	2	Screw M6 x 16 Lg	24	7-951-170014	2	Washer M8
7	7067214	4	Washer Spring M6	25	7045102	1	Screw M6 x 20 Lg
8	7069102	4	Nut M6	26	7069103	1	Nut Nyloc M6
9	7045110	2	Screw M6 x 45 Lg	27	7-951-150014	1	Washer M6
10	7064011	1	Nuts Slotted 1/2" UNF	28	7-951-101211	1	Hose Assy
11	7066536	1	Washer Plain M6				
12	7072012	1	Pin Split				
13	720004	1	Bearing				
14	8577560	1	Pin				
15	6-184-991959	1	Bracket				
16	7-447-040603	2	90° Elbow				
17	7091102	1	Bolt M8 x 60 Lg				6-683-990043
18	7-447-060603	1	90° Elbow				Issue No. 01

+ See further breakdown in this group